

## PVC-U SINGLE UNION VALVE (SOCKET)

Product No.: **V07-1**

Product Standard: **DIN**

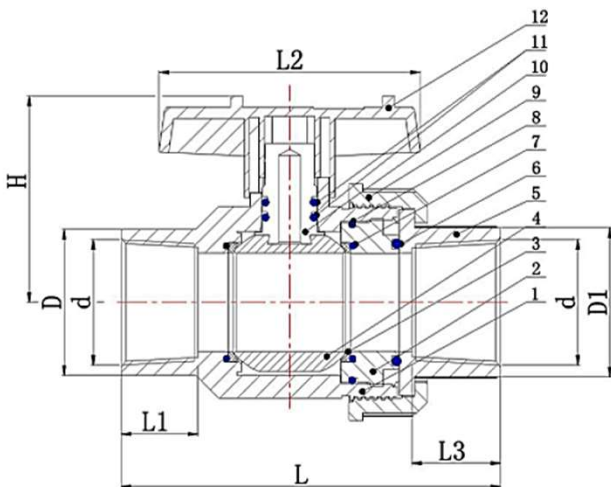
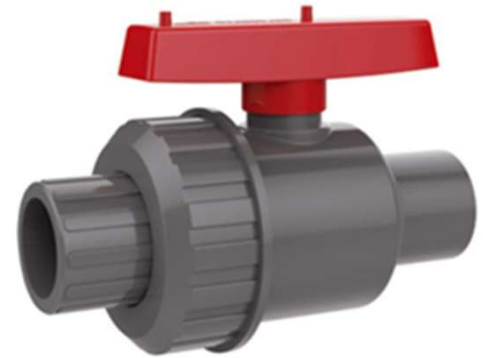
Body CLR:

Handle CLR:

Description: PVC Single Union Ball Valve (Socket)

Temperature: Max 45°C /115°F

Working Pressure: PN10



NO.	PART	MATERIAL	QTY	NO.	PART	MATERIAL	QTY
1	Body	PVC	1	7	O-Ring	NBR	2
2	Seat Carrier	PVC	1	8	O-Ring	NBR	1
3	Seat seal	PTFE	2	9	Union Nut	PVC	1
4	Ball	PVC	1	10	Stem	PVC	1
5	End Connector	PVC	1	11	Stem O-ring	NBR	2
6	O-Ring	NBR	1	12	Handle	ABS	1

Size (mm)	DIN d(mm)	D (mm)	D1 (mm)	H (mm)	L2 (mm)	L1 (mm)	L3 (mm)	L (mm)
15 (1/2")	20	28,6	29	53,5	64	21	21	97
20 (3/4")	25	34	36	59	79,5	25	25	112
25 (1")	32	41	43	68	84	27,5	27,5	126
32 (1-1/4")	40	52	53	79	96	28,5	28,5	141
40 (1-1/2")	50	60,5	62	83,5	116	29	29	167
50 (2")	63	74	77	104	132	30	30	192
65 (2-1/2")	75	90,5	90	124,5	130	44	43	195,3
80 (3")	90	106,5	106	153	175	51,5	51,5	234,5
100 (4")	110	131	129	170	199	61	61	280